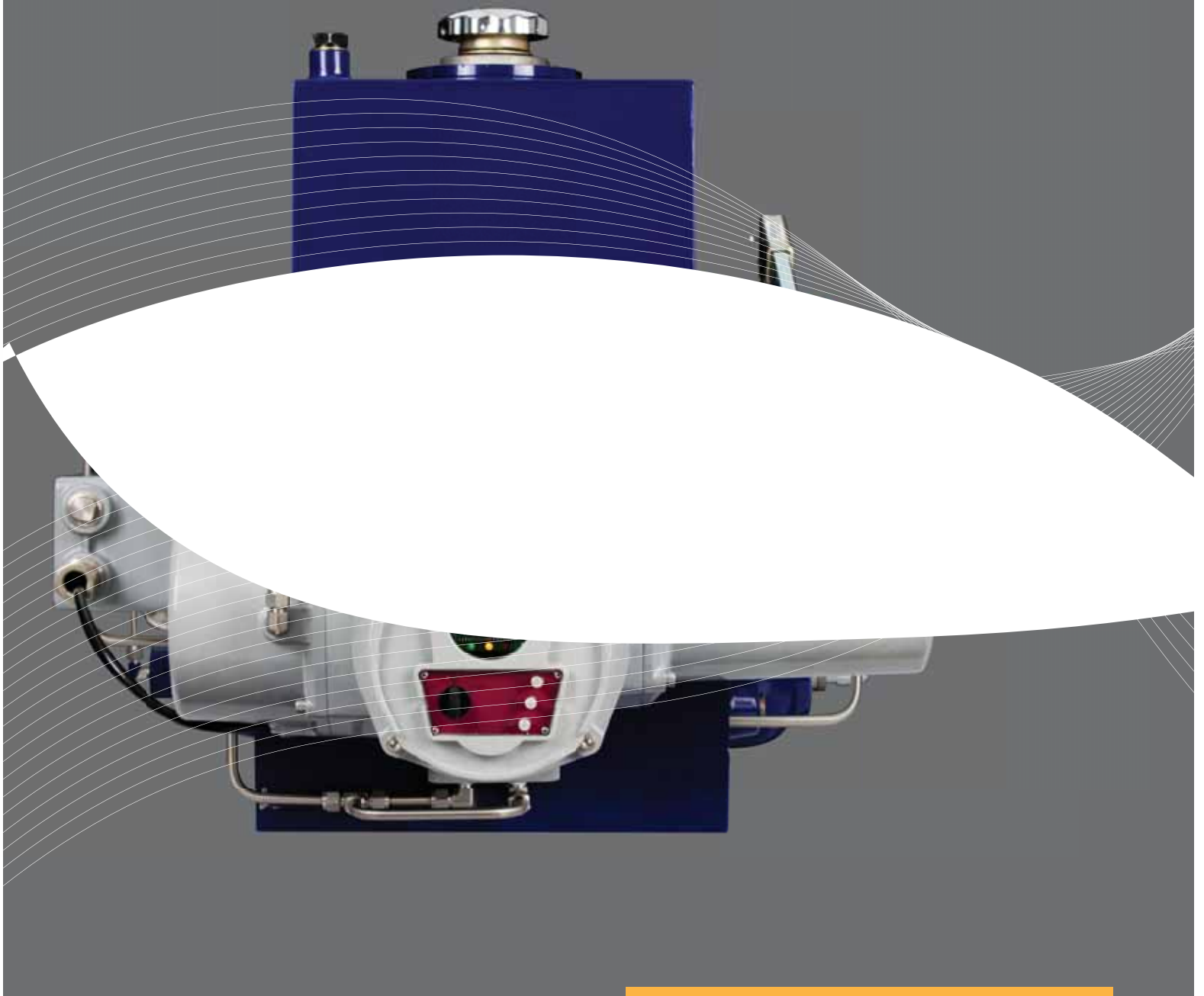


**GREATORK<sup>®</sup>**  
ELECTRO-  
HYDRAULIC

**YKT/YKL**  
**YKTM/YKLM**

ACTUATOR



# ELECTRO-HYDRAULIC ACTUATOR

## Show room & Workshop

Integrated intelligent design  
High explosion proof protection  
High reliability  
High accuracy  
Wireless data communication  
App real time monitoring



# Electro-hydraulic Actuator

## Company Introduction

Tefulong (Shanghai) Technologies Co., Ltd. is one of the largest intelligent valve actuator manufacturer in China. Our electro-hydraulic actuator covers the shortage of traditional pneumatic and electric actuator, which can satisfy the industrial process automation requirement of large-scale automatic control system.

After years of effort, with various unique industry technology patent, our actuator has become more and more clients' first choice.

Tefulong (Shanghai) Technologies Co., Ltd fully use technology, manpower and city brand effect of Shanghai, to attract more and more excellent talents and establish a sophisticated R&D and market center. We build a new production base in Shanghai Lin'gang industry zone, to expand production capacity and accelerate enterprise development.

Our Shanghai new production base also get great support from Shanghai government, Pudong area and Lin'gang management committee, and has been assessed as Shanghai Strategic Emerging Industry Program by government.

We have a team of qualified, experienced and talented researchers & engineers from a wide variety of backgrounds in R&D center. We are committed to keeping efforts to ensure that our actuators are the simplest to operate and the highest reliable to work with.

Our mission is to provide the industry with high-quality and cost-effective actuators and maximize customer's value. We persist on continuous improvement and product innovation to keep our competitiveness.

## Actuator Certificate



# ELECTRO-HYDRAULIC

electro-  
hydraulic actuator

electro-  
hydraulic actuator

# Electro-hydraulic Actuator

Noise: < 75dB (A sound level)

Control mode: 4-20mA analogue

Feedback mode: dry contact and analogue

Structure : integrated ( option for separated installation )

Fieldbus type: Profibus-DPV0,DPV1, Modbus, FF etc.,

Enclosure Protection grade:IP65

Explosion-proof classification: ExdIIBT4 Gb

YKT



# ELECTRO-HYDRAULIC ACTUATOR

YKT



On-off type  
actuator  
main  
parameters

Output torque (100Nm-80kNm)
Output thrust (6kN-600kN)
Voltage:220VAC, 380VAC, 440VAC, fluctuation range $\pm 10\%$
Frequency: 50Hz, 60Hz, fluctuation range $\pm 1\%$
Temperature range: $-20^{\circ}\text{C}$ to $+70^{\circ}\text{C}$ ( $-40^{\circ}\text{C}$ to $+70^{\circ}\text{C}$ as option)
Display: OLED
Stroke range: 0-500mm
Position feedback: absolute encoder/ magnetostrictive sensor
Motor type: servo motor/AC motor
Accuracy: $< 0.1\%$ of the full stroke
Noise: $< 75\text{dB}$ (A sound level)
Control mode: switching value
Switching speed: Open direction can be adjusted independently
Feedback mode: dry contact and analogue
Structure : integrated ( option for separated installation )
Fieldbus type: Profibus-DPV0,DPV1, Modbus, FF etc,.
Enclosure Protection grade:IP65
Explosion-proof classification: ExdIIBT4 Gb
Functional Safety Certification: SIL2

# Electro-hydraulic Actuator

YKT



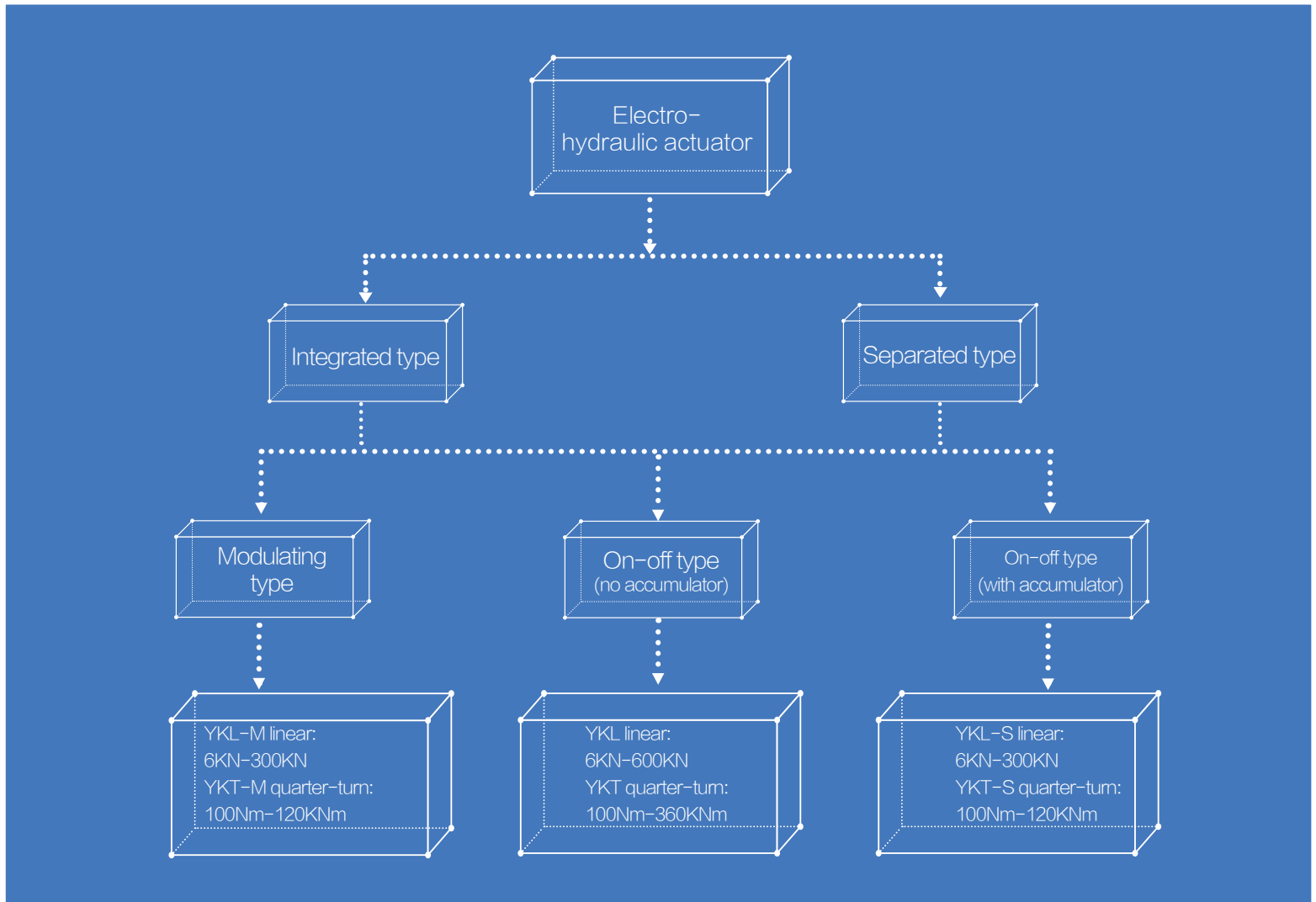
# ELECTRO-HYDRAULIC ACTUATOR

YKT





# Electro-hydraulic Actuator



## Option

Line break detecting protection

Separated installation for drive device and control unit

Temperature safety control (fusible plug)

Solar power supply system

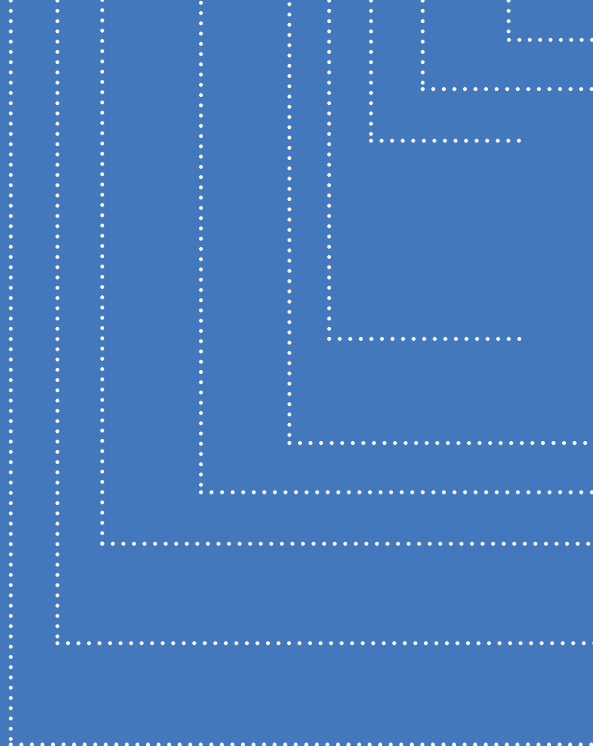
WIFI data communication

APP monitoring function

# ELECTRO-HYDRAULIC ACTUATOR

electro-  
hydraulic actuator

YK-□-□-□-□-□-□-□-□ / S-□□□□



electro-  
hydraulic actuator

1100	✓	✓	-	-
1010	✓	-	✓	-
1000	✓	-	-	-
1100	✓	✓	-	-
1010	✓	-	✓	-
1001	✓	-	-	✓

# Electro-hydraulic Actuator

YKT



Performance parameter of quarter-turn electro-hydraulic actuator YKT

Torque code	Output torque (Nm)	Operating time (S)				Stroke range
		A module	B module	C module	D module	
0006	600	5	4	2	1.4	90° ± 3°
0012	1200	12	9	4.5	3	
0025	2500	24	18	9	6	
0045	4500	40	30	15	10	
0090	9000	58.5	45	22.5	15	
0200	20000	-	-	60	40	
0400	40000	-	-	105	70	

Performance parameter of linear electro-hydraulic actuator YKL

Torque code	Output thrust (N)	Linear velocity (mm/s)				Stroke (mm)
		A module	B module	C module	D module	
0008	8000	24	31	62	93	25
0012	12000	15	20	40	60	50
0018	18000	10	12.8	25.5	38	65
0028	28000	6	8	16	24	100
0047	47000	4	5	10	15	150
0067	67000	2.5	3	6.4	9.5	200
0100	100000	1.5	2	4	6	
0100	150000	1	1.5	3	5	



Tefulong Group Co., Ltd.  
Tefulong (Shanghai) Technologies Co., Ltd.  
Address: No. 950, Feidu road, Nicheng town, Pudong new district,  
Shanghai city, China. 201306  
Tel: 86-577-86589988  
Fax: 86-577-86585899  
Email: [Greatork@greatork.com](mailto:Greatork@greatork.com)  
Website: [www.greatork.com](http://www.greatork.com)