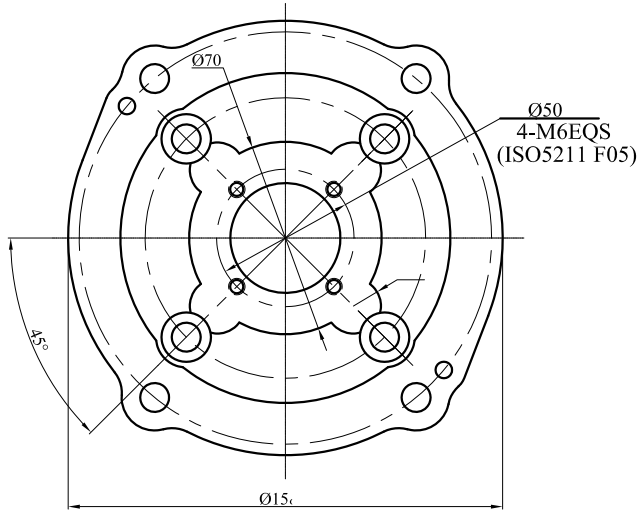


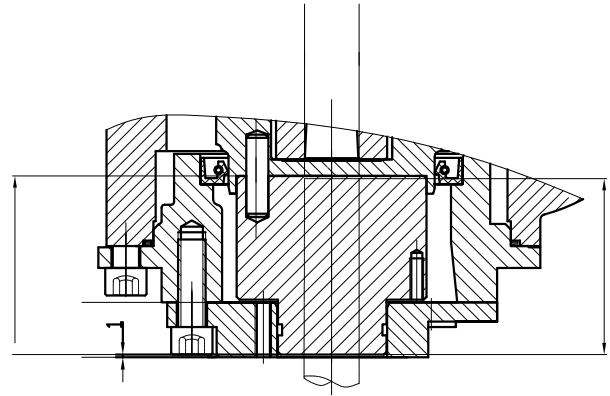
GREATORK AVAT and AVATM series drive couplings

AVAT01/02 and AVATM01/02 COUPLING

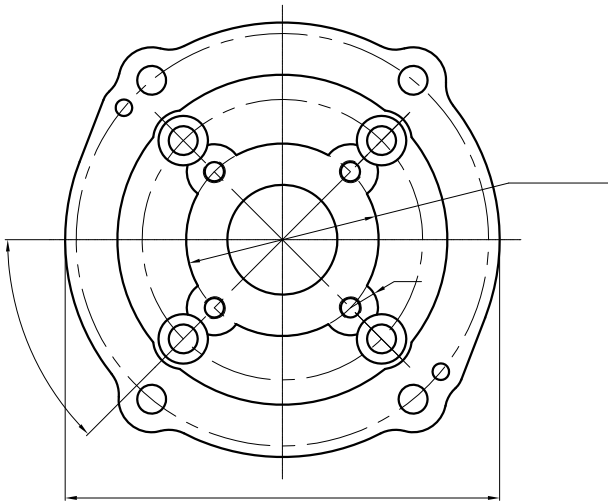
F05 Base



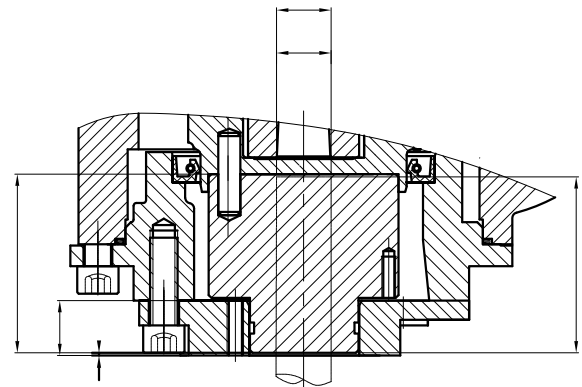
F05 Coupling



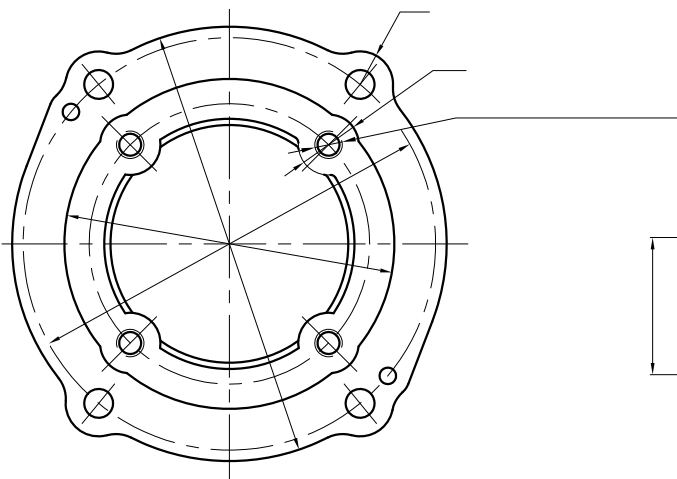
F07 Base



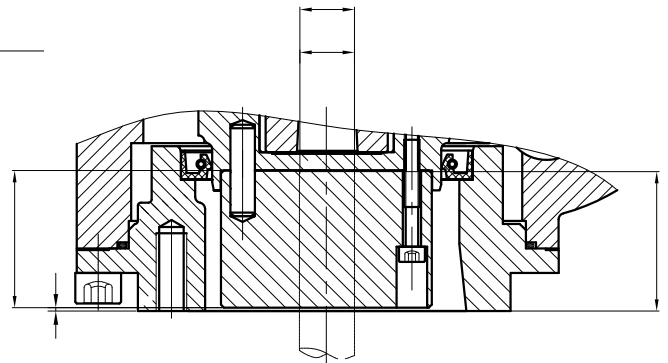
F07 Coupling



F10 Base



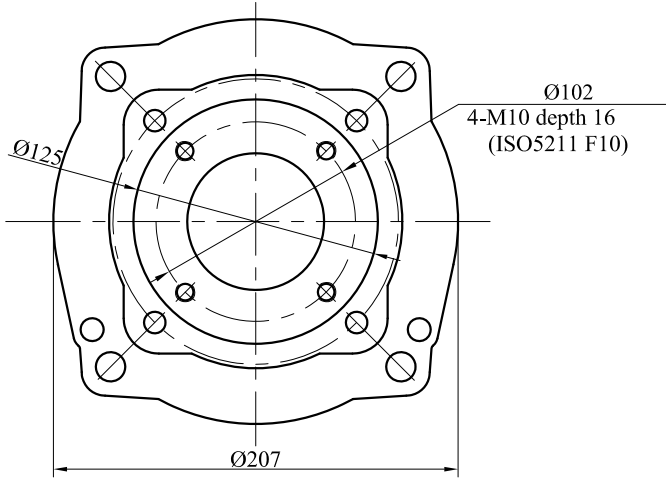
F10 Coupling



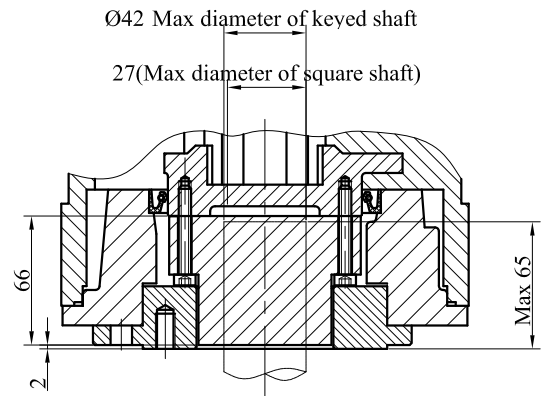
GREATORK AVAT and AVATM series drive couplings

AVAT03/04/05/06 and AVATM03/04/05/06 COUPLING

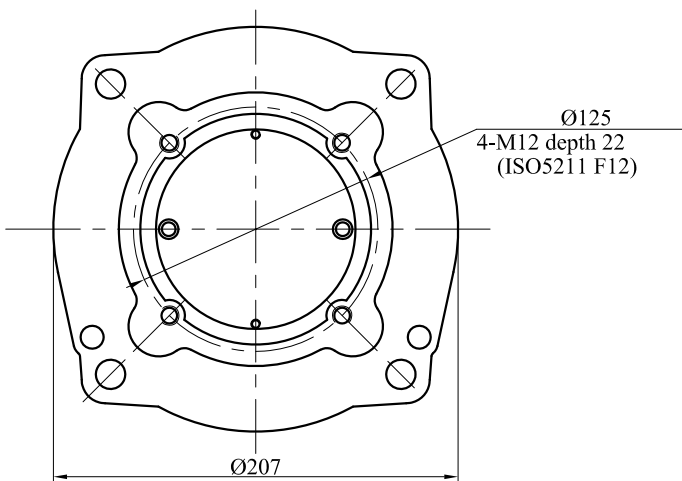
F10 Base



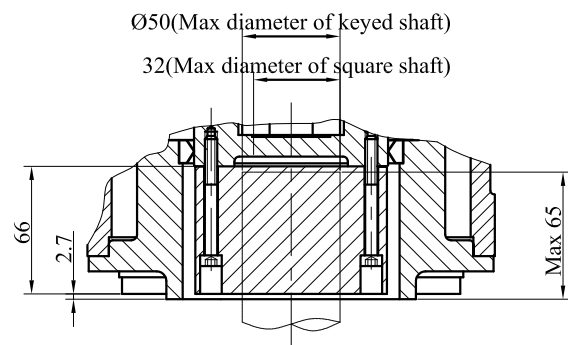
F10 Coupling



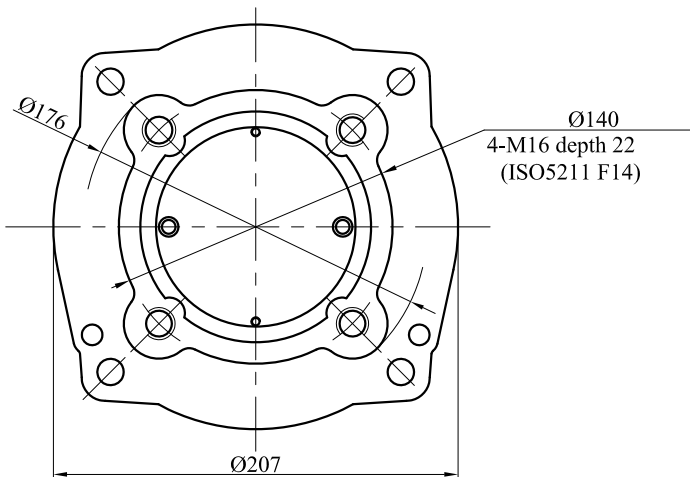
F12 Base



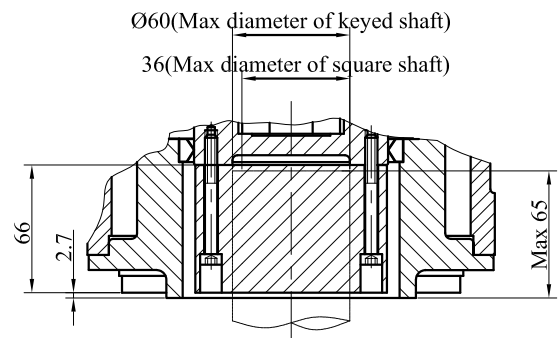
F12 Coupling



F14 Base



F14 Coupling



Note: The original coupling is solid and can be machined according to user's requirement without exceeding the max diameter indicated in the drawing.