

Warning: Please refer to the rated voltage stamped on the actuator nameplate before connecting power. Connect terminals 1, 2, and 3 when the power is three phases. Connect terminals 1 and 2 when the power is single phase.

Analogue Input Signal +Ve
Analogue Input Signal -Ve

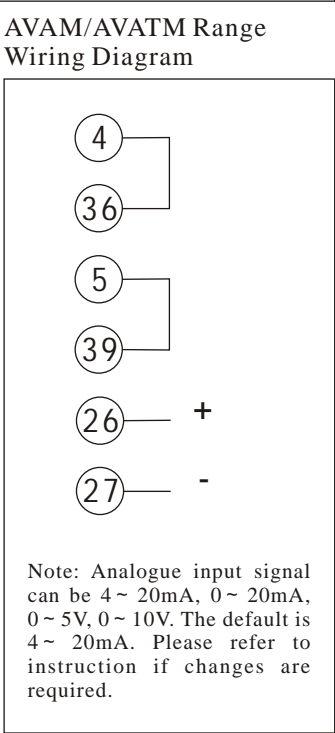
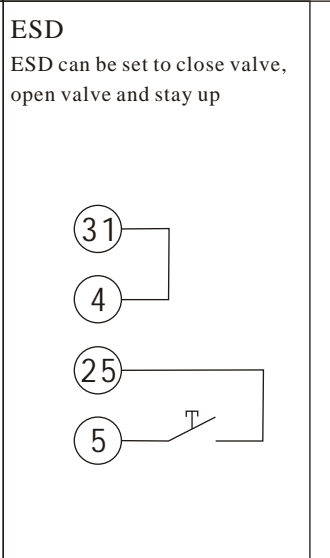
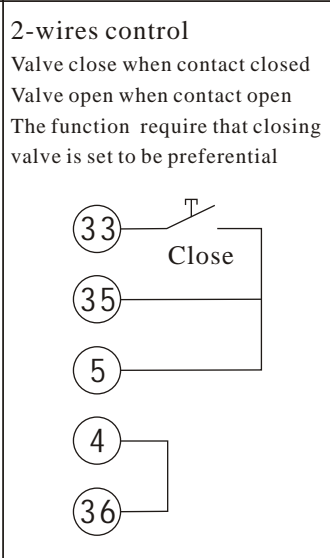
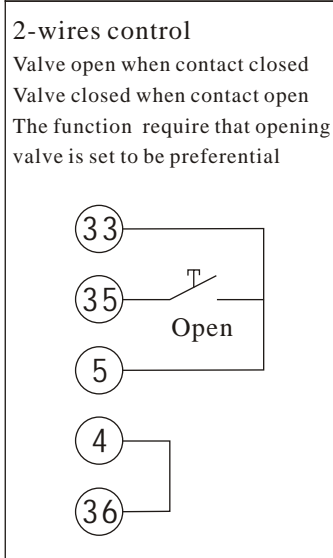
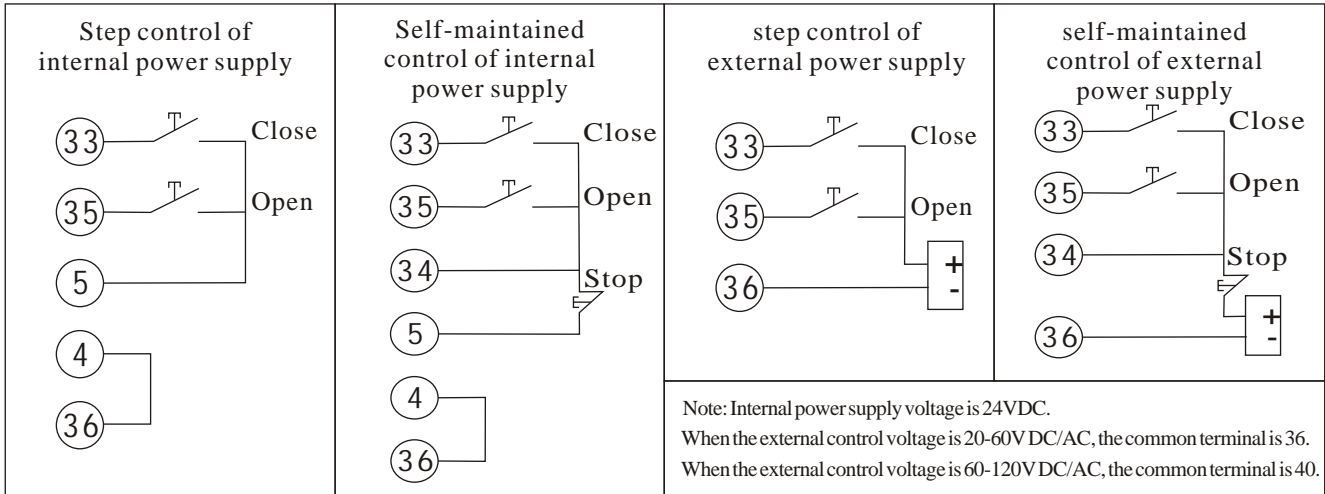
Common-Ve 20 ~ 60v Ac/Dc
Common-Ve 60 ~ 120v Ac

Common- Ve 20 ~ 60v Ac/Dc

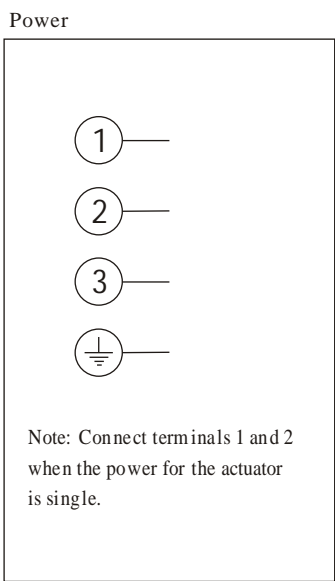
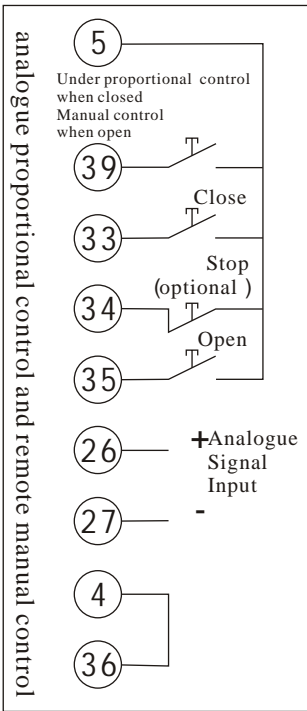
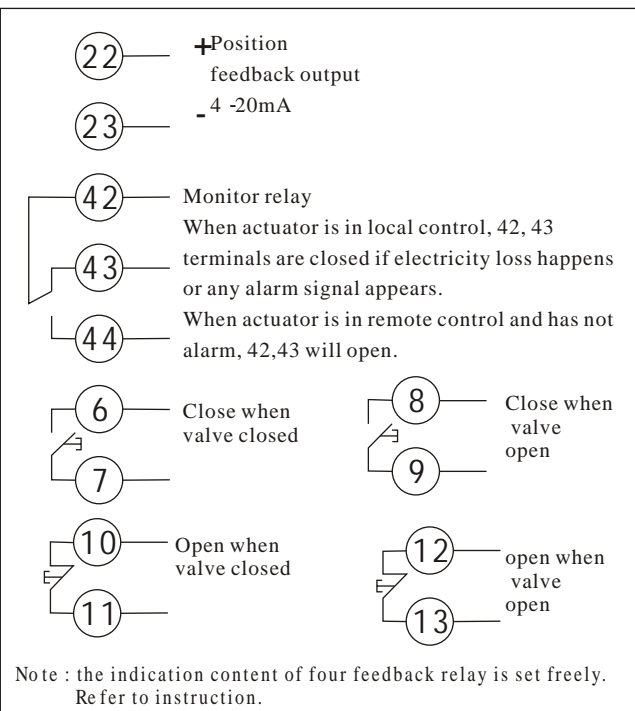
Manual/ Automatic
Common+Ve 60 ~ 120v Ac

Common Monitor Relay
Common Monitor Relay Normally Closed
Common Monitor Relay Normally Open

AVA/AVAT Range Wiring Diagram



Feedback



Note: for more information, please contact Tefulong.